



Solar Combi+



Alexander Thür

AEE – Institute for Sustainable Technologies (AEE INTEC)
A-8200 Gleisdorf, Feldgasse 19
AUSTRIA

5th Meeting: June 10-12, 2009; Perpignan

WP 6: Dissemination

In Total 8 Tasks with 13 Deliverables:

T1 Webpage and Newsletter	(D6.1, D6.2)
T2 Brochure on package solutions	(D6.3)
T3 Publications in professional magazines	(D6.4)
T4 Presentations on trade fairs and conferences	(D6.5, D6.6, D6.7)
T5 Presentations to professionals	(D6.8)
T6 Information and advice to authorities	(D6.9, D6.10, D6.11)
T7 Initiation of pilot plants	(D6.12)
T8 Media campaigns	(D6.13)

WP 6: Dissemination and Communication

Time schedule:

				22=June09	30=Feb10	
	IV/07	II/08	III/08	III/09	I/10	
T1 D6.1	3					WWW
T1 D6.2			11	20	30	Newsletter
T2 D6.3				22		Brochure
T3 D6.4					30	>20, 3 articles each
T4 D6.5	3	8		22 22		4 posters/leaflets
T4 D6.6					30	5 fairs/2-3Pr. each
T4 D6.7					30	15 Conf. Pres. total
T5 D6.8					30	15 Pres. Prof. total
T6 D6.9				22		Authority Guide
T6 D6.10					30	Inform 15 bodies
T6 D6.11					30	Recomm. EPBD
T7 D6.12					30	7*3 feasib. Studies =>10 pilot systems
T8 D6.13					30	>3 Press releases

Time schedule:

	IV/07	II/08	III/08	III/09	I/10
T1 D6.1	3				WWW
Responsible: EURAC + AEE INTEC	Language: EN (+all for summaries)				

Homepage is installed, informations can be uploaded by sending to EURAC:
Corinne.Joechler@eurac.edu

WEBDAV for internal data exchange can be used by everybody.

Time schedule:

	IV/07	II/08	III/08	III/09	I/10
T1 D6.1	3				WWW
Responsible: EURAC + AEE INTEC			Language: EN (+all for summaries)		

Available Links to SolarCombi+ Website (19/3-2009):

<http://www.solcoproject.net>

<http://www.solair-project.eu/112.0.html>

<http://www.ise.fraunhofer.de/geschaeftsfelder-und-marktbereiche/energieeffiziente-gebäude-und-gebäudetechnik/energieeffiziente-und-solare-kuehlung/solar-combi-identification-of-most-promising-markets-and-promotion-of-standardised-system-configurations-for-the-market-entry-of-small-combined-solar-heating-cooling-applications>

<http://www.aee-intec.at/index.php?seitenName=projekteDetail&projekteId=109>

<http://www.eurac.edu/Org/AlpineEnvironment/RenewableEnergy/Projects/SolarCombiplus.htm>

WP 6: Dissemination and Communication

Time schedule:

	IV/07	II/08	III/08	III/09	I/10	
T1 D6.2			11	20	30	Newsletter
Responsible: AEE INTEC + EURAC					Language: EN	

Newsletter 1 is finished and sent out to 233 international and 2296 Austrian addresses and ??

Newsletter 2 is due in month 20 (April 2009)

Newsletter 3 is due in month 30 (Feb 2010)

IMPORTANT: Please keep record on the address list, at least the number of addresses **must** be reported to AEE INTEC and further to EU. Splitted information on groups like governmental, industry, etc. is welcome.

WP 6: Dissemination and Communication

Time schedule:

			22=June09	30=Feb10	
	IV/07	II/08	III/08	III/09	I/10
<u>T2 D6.3</u>			22		Brochure

Responsible: AEE INTEC+partners from WP4 Language: **ALL**

Input from D4.1 (month 16) and D4.2-6 (month 20)

14 pages, pdf plus 3000 prints (No per language has to be decided)

5 x 2 pages from Industry partners = D4.2-6

4 pages general introduction = D4.1 (EURAC + Institutional assistance)

All 14 pages need to be translated !! Be aware with time/money budget.

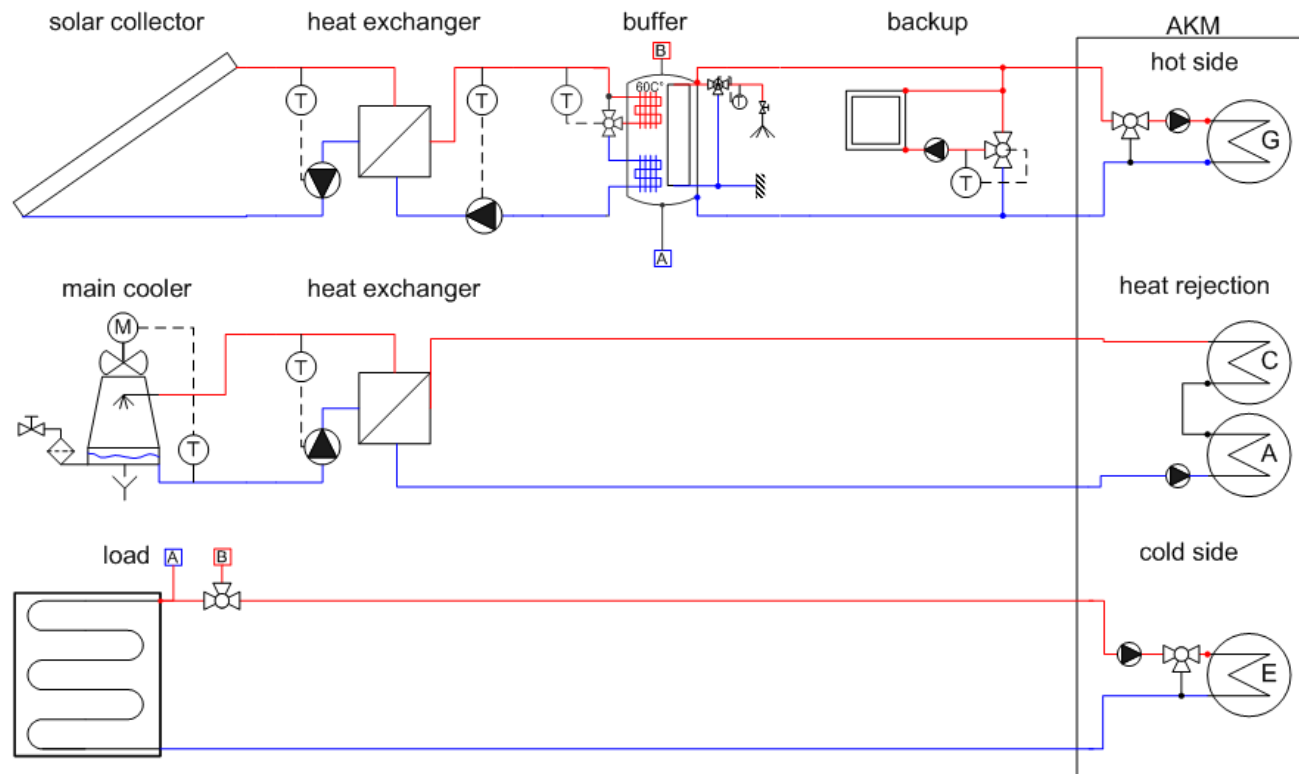
Task38 A2 - Generic Systems from ZAE Bayern (AEE INTEC will contact Christian Schweigler from ZAE) **C.Schweigler agrees! Ready when?**

Task38 Handbook: AEE INTEC is responsible for chapter “prefabricated systems”!!!! Input is welcome (=advertisement for free !?!)

Generic System – SolarCombi**PLUS**: cooling effect added !



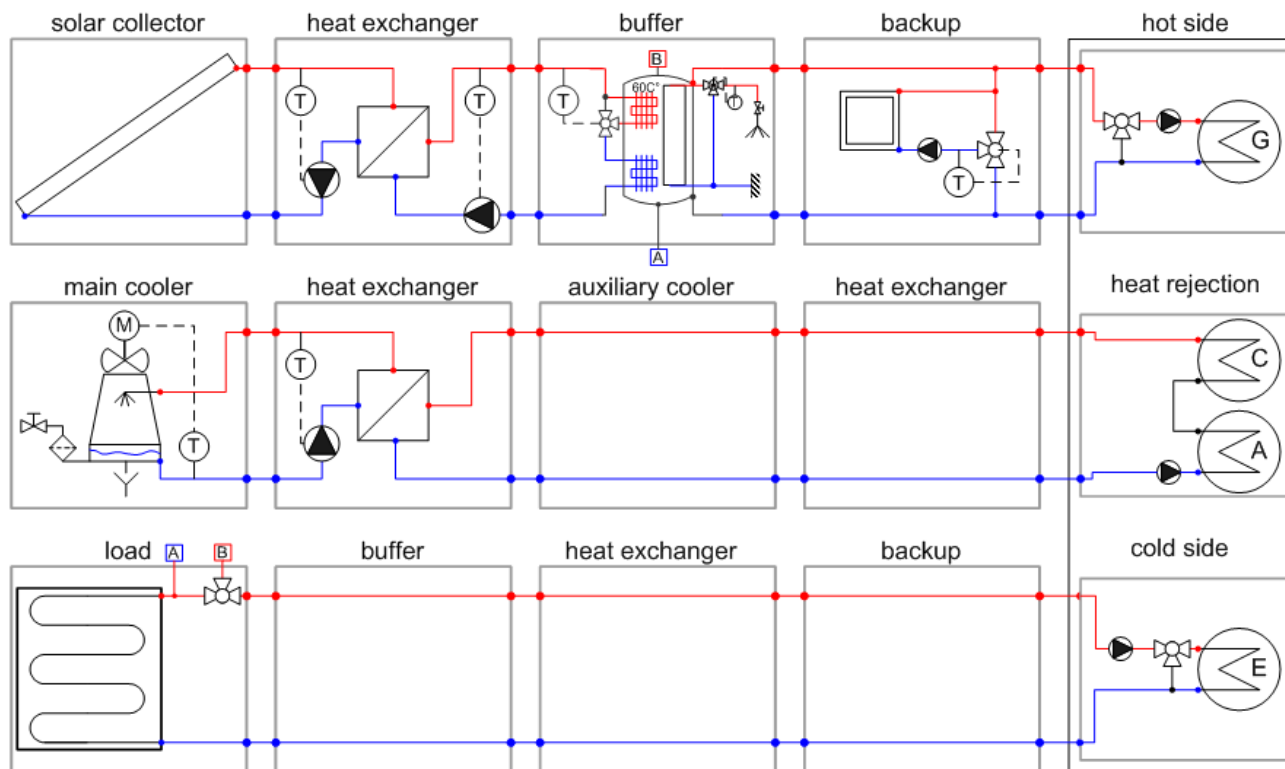
ZAE BAYERN



Generic System – System components: options



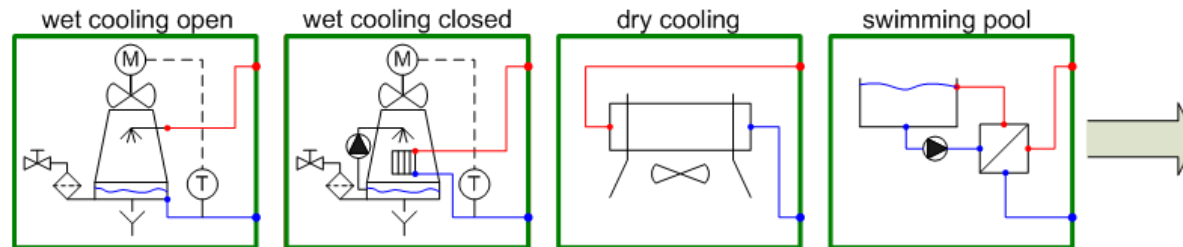
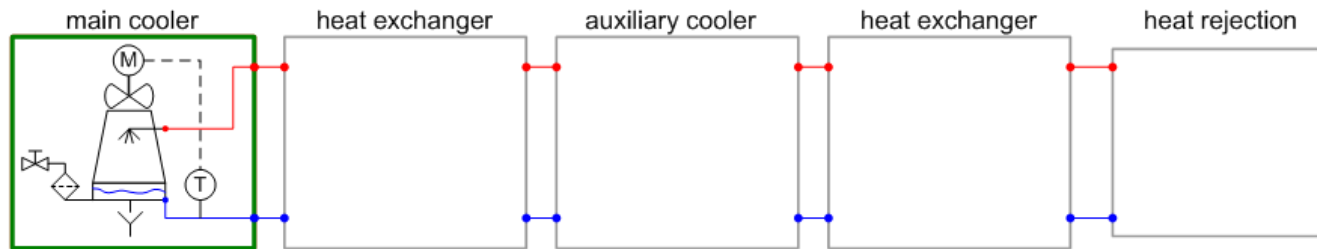
ZAE BAYERN



Generic System – heat rejection components



ZAE BAYERN



IEA SHC Task38

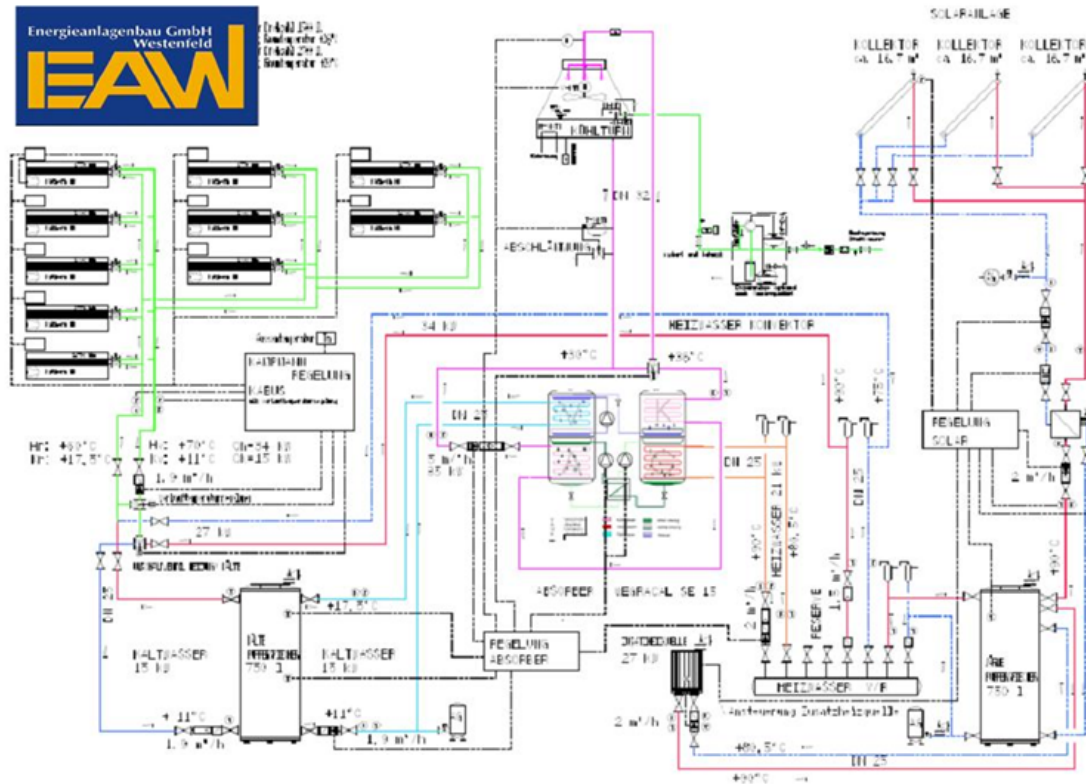
Generic Systems: C.Schweigler et.al.



ZAE BAYERN

Transformation example 4: EAW

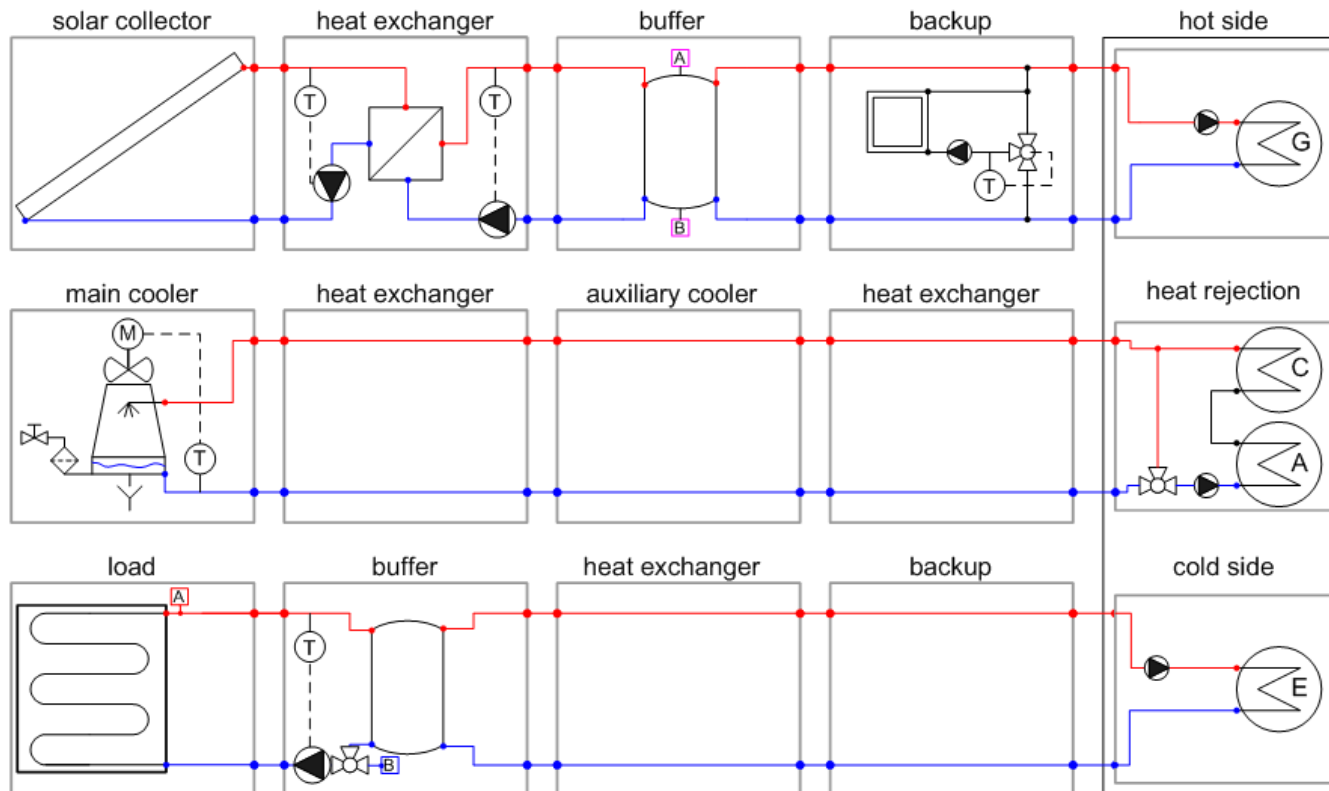
SOLARE KÜHLUNG HEIZ- UND KÜHLKONVEKTOR



Transformation example 4: EAW



ZAE BAYERN



1. Pre-engineered Systems: Built Examples and Experiences

Introduction (half a page)

Sources of information for experiences

What kind of experiences are of interest?

1.1. Built example(s) 7.5 pages

3 examples

For each example: 2 photos, 1 hydraulic scheme, 1 table with characteristic data, 1 graph with annual performance or daily performance

From monitoring, if we get more than 3 examples we really want to show, we could add one or two more. Otherwise more examples will be mentioned in the 'experiences' part.

1.2. Experiences (approx. 15 graphs, 1 hydraulic scheme and 2 photos), 15 pages

This should be the main part of the chapter and should be based on examples from the results of the questionnaire in work package A5. It can include topics like:

- How to choose the size of the package?
- Which components have to be sized separately from the package e.g. pump for cooling tower depending on the distance between cooling tower and cooling machine etc.
- Control Issues
- Maintenance Issues
- Problems encountered.

(Topics should be illustrated with detailed measurement graphs as much as possible.)

(Exact titles of subchapter can only be defined when the results of the questionnaires are available.)

Approximate number of photos: 8, hydraulic schemes: 4, graphs: 18

Co-authors: Anita Preisler and others from working group A5 who deliver examples or experiences

WP 6: Dissemination and Communication

Time schedule:

	IV/07	II/08	III/08	III/09	I/10	
T3 D6.4					30	Magazin Publicat.
Responsible: Institutional partners						Language: ALL

Articles in (professionals') magazines
3 per country (Sweden??); more than 20 in total
Main target group: planners

Possible content:

Presentation of concepts, results of simulations, announce Training courses, ...

AUT: **journal ee (produced by AEE INTEC), HLK (SOLution contact!), Sun, Wind & Heat?, Sonnenzeitung?, Architectural journals?, ??**

AEE INTEC will circulate a form for documentation when and which magazine was presenting which article..

WP 6: Dissemination and Communication

Time schedule:

	IV/07	II/08	III/08	III/09	I/10
T4 D6.5	3	8		22 22	4 posters/leaflets

Responsible: AEE INTEC + partners

Language: ALL

Poster/Leaflet I **is done** project description

Poster/Leaflet II **is done** results from market analysis

Poster/Leaflet III **pending** standard system configurations & online tool

Poster/Leaflet IV most promising applications

All partners are responsible to PRINT and USE them (=distribute)

AEE INTEC will circulate a form for documentation when, where and how many poster/leaflets were presented/distributed.

Time schedule:

	IV/07	II/08	III/08	III/09	I/10
T4 D6.6					30
					5 fairs
Responsible: Industry partners					Language: EN or venue language
2-3 presentations of each industry partner; in total at 5 fairs					
SOLution:	Energiesparmesse Wels, Intersolar Munich, ?ISH-Frankfurt?, ... France??				
SorTech:	Intersolar Munich, ??				
Sonnenklima:	Intersolar Munich, ??				
Climatewell:	??				
Rotartica/Fagor:	--				
Ikerlan/Fagor:	CLIMATIZACIÓN 2009, ??; (general information on solar cooling and project results)				

We have to announce the fair presentations on SCS+ homepage !!

AEE INTEC will circulate a form for documentation when, where and which fair was used for presentation..

Time schedule:

	IV/07	II/08	III/08	III/09	I/10
T4 D6.6					30
					5 fairs

Responsible: Industry partners

Language: EN or venue language

2-3 presentations of each industry partner; in total at 5 fairs

SOLution:

- Klimahouse Bozen (22.1. - 25.1.)
- Häuslbauermesse Innsbruck (23.1. - 25.1.)
- Grazer Häuslbauermesse (29.1. - 1.2.)
- Häuslbauermesse Freistadt (6.2. - 8.2.)
- Bauen und Energie Wien (19.2. - 15.2.)
- Energiesparmesse Wels (25.2. - 1.3.)
- Salon ENR Lyon (25.2. - 28.2.)
- Häuslbauermesse Liezen (6.3. - 8.3.)
- ISH Frankfurt (10.3 - 14.3.)
- Tiroler Frühjahrsmesse (12.3. - 15.3.)
- WISA St. Pölten (23.-26.4.)
- Solarexpo Verona (7.5. - 9.5.)
- Genera Madrid (12.5. - 14.5.)
- Intersolar München (27.5. - 29.5.)

Time schedule:

	IV/07	II/08	III/08	III/09	I/10	
T4 D6.7					30	15 Conf.Pres. Total

Responsible: Institutions

Language: EN (Venue language)

Presentation of general results and standard system configurations at conferences, as well as ad-hoc workshops and seminars.

EURAC: [Eurosun2008](#), [Gleisdorf Solar 2008](#), [EUSEW 2009](#), [OTTI-Palermo 2009??](#), AICARR 2009, CISBAT,

AEE INTEC: [OTTI-Palermo 2009](#), NOEST, Arsenal (Preisler), Solarwärme events, ASTTP,... ??

TECSOL: [ESTEC 2009](#), ??

IKERLAN: OTTI-Palermo 2009 (with UNIBG)

FhG-ISE: [OTTI-Palermo 2009](#), ??

CRES: ??Athens??

UNIBG: OTTI-Palermo 2009 (with IKERLAN)

Further possibilities: ?? Climatewell contact for Portugal: Alberto Madina

AEE INTEC will circulate a form for documentation when, where and which presentations were presented.

Time schedule:

	IV/07	II/08	III/08	III/09	I/10	
T4 D6.7					30	15 Conf.Pres. Total

Responsible: Institutions

Language: EN (Venue language)

Presentation of general results and standard system configurations at conferences, as well as ad-hoc workshops and seminars.

EURAC: [Eurosun2008](#), [Gleisdorf Solar 2008](#), [EUSEW 2009](#), [OTTI-Palermo 2009??](#), AICARR 2009, CISBAT,

Roberto per e-mail on 090225:

OTTI conference Palermo: EURAC and UNIBG, WP4 - Task 1 - Methods for the choice of standard configurations UNIBG, WP3 - Rotartica simulations AICARR - 47° Convegno nazionale EURAC and UNIBG, WP4 - Task 1 - Presentation of the standard solutions for each industrial partner CISBAT 2009 EURAC and UNIBG, WP4 - Task 1 - Results of the choice of standard configurations stressing the effects on the primary energy savings and CO2 emissions reduction

Time schedule:

	IV/07	II/08	III/08	III/09	I/10
T5 D6.8					30
Responsible: Institutions					15 presentations
					Language: ALL

15 Presentations to Professionals in total; but in all countries (?Sweden?)
Any event (existing or extra organized) is possible

In AUT:

ASTTP workshops, NOEST “energy lunch”, Austria Solar “annual board meeting”, Educational programme within SOLARWÄRME, arsenal workshops (Preisler), ...

Portugal: see e-mail from MariaJoaho on 090304 (CLIMAMED'2009 will occur in April??)

AEE INTEC will circulate a form for documentation when, where and which presentations were presented.

WP 6: Dissemination and Communication



Time schedule:

				22=June09	30=Feb10
	IV/07	II/08	III/08	III/09	I/10
T6 D6.9				22	Authority Guide
Responsible: AEE INTEC + Institutions				Language: EN	

AEE-INTEC will prepare a common guideline for the negotiation with authorities.

Within D6.10 each partner will be responsible for contacting and meeting the authorities in its country. Alternative approaches, as e.g. the organisation of round tables can be chosen by single partners.

WP 6: Dissemination and Communication



Time schedule:

	IV/07	II/08	III/08	III/09	I/10	
T6 D6.10					30	Inform 15 bodies
Responsible: Institutions						Language: ALL

Personal contacts/meetings with authorities for consultation on results relevant for support & subsidy schemes, implementation of EPBD and future renewable heat and cooling directive and support programmes.

Based on D6.9 and D6.11 prepared by AEE INTEC + institutional support.

AEE INTEC will circulate a form for documentation when and which bodies were contacted.

Time schedule:

	IV/07	II/08	III/08	III/09	I/10	
T6 D6.11					30	Recomm. EPBD
Responsible: AEE INTEC						Language: ALL

1 page in pdf for each of the following topics:

- Recommendations on SCS+ systems to be included within EPBD
- Short info for inspectors of air-conditioning systems

This information shall be used within D6.10

WP 6: Dissemination and Communication

Time schedule:

	IV/07	II/08	III/08	III/09	I/10
T7 D6.12					30
Responsible: Institutions+Industry Partners					7*3 feasib. Studies
					Language: ALL

Feasibility studies for possible customers (preferably national and local authorities in order to get high visibility) for promotion of demonstration plants

3 studies in each participating country => 10 pilot systems “shall” be initiated.

?Each participating country: Sweden????

AEE INTEC will prepare simple forms for that (based on SOLAIR?!?)

Time schedule:

	IV/07	II/08	III/08	III/09	I/10
T8 D6.13					30
					3 press releases
Responsible: AEE INTEC + local partner					Language: fit to the region

3 press releases and contact (at least 6 contact protocols) with local media in most promising regions for promotion Solar Combi+

Europe:	REHVA (European Journal, SOLAIR partner), ??
Spain:	??
France	??
Italy:	??
Austria:	??
Germany:	??

WP 6: Dissemination and Communication

English:

D6.1 Webpage's base language is English
D5.1-D5.6 Reports on dissemination and training activities
D6.2 Newsletter

D2.1-D2.3 Market situation reports
D2.5 SWOT analysis
D2.6 Market share report

D3.2-D3.3 Reports on virtual case studies
D4.1 Report on identification of standard system configurations
D4.8 Online tool for database

D6.7 Presentations at conferences

