



SorTech AG

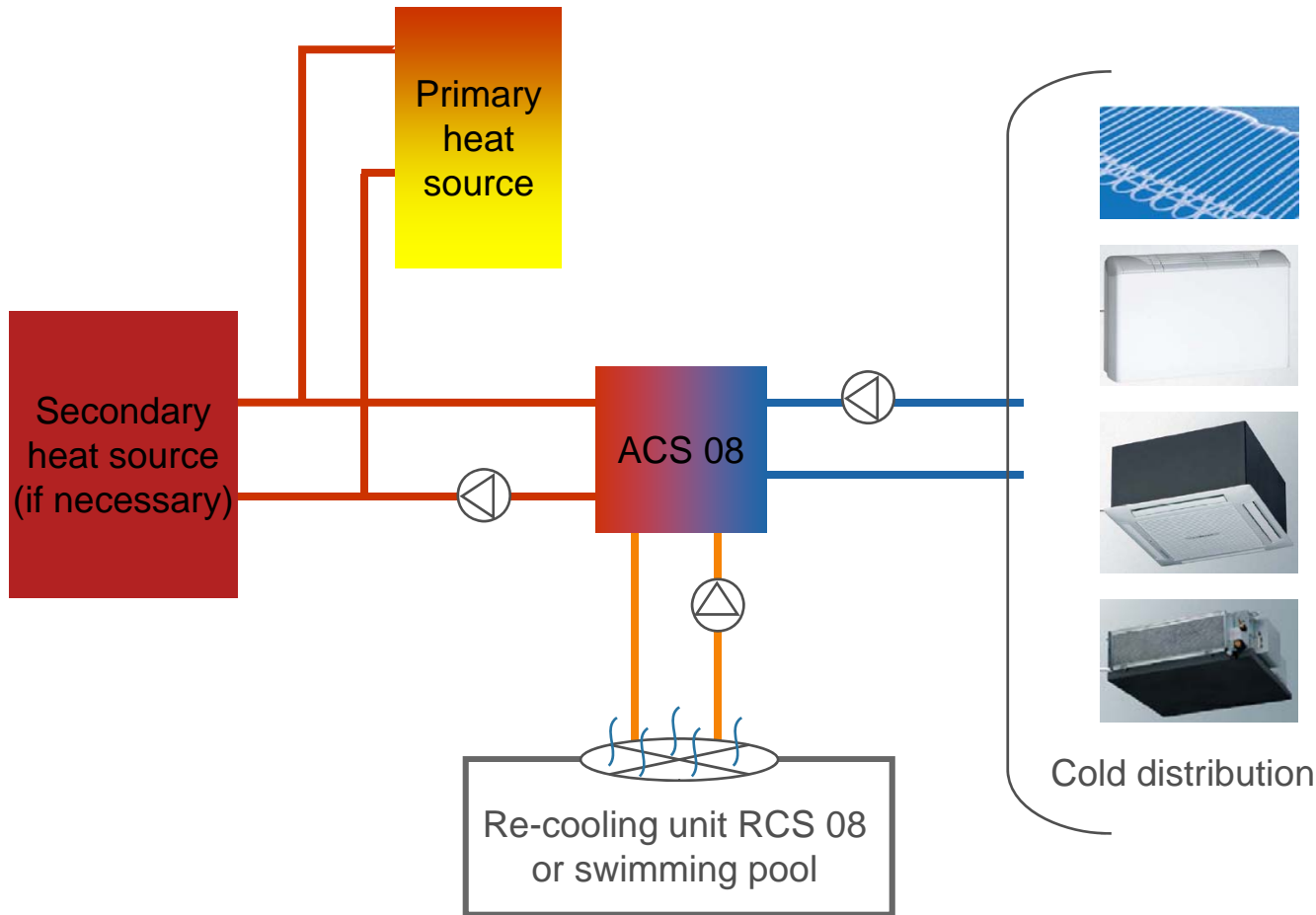
ACS08 Systems

June 2009

SorTech AG, Halle (Saale), Germany

Dr. Jörg Rupp

Scheme 1

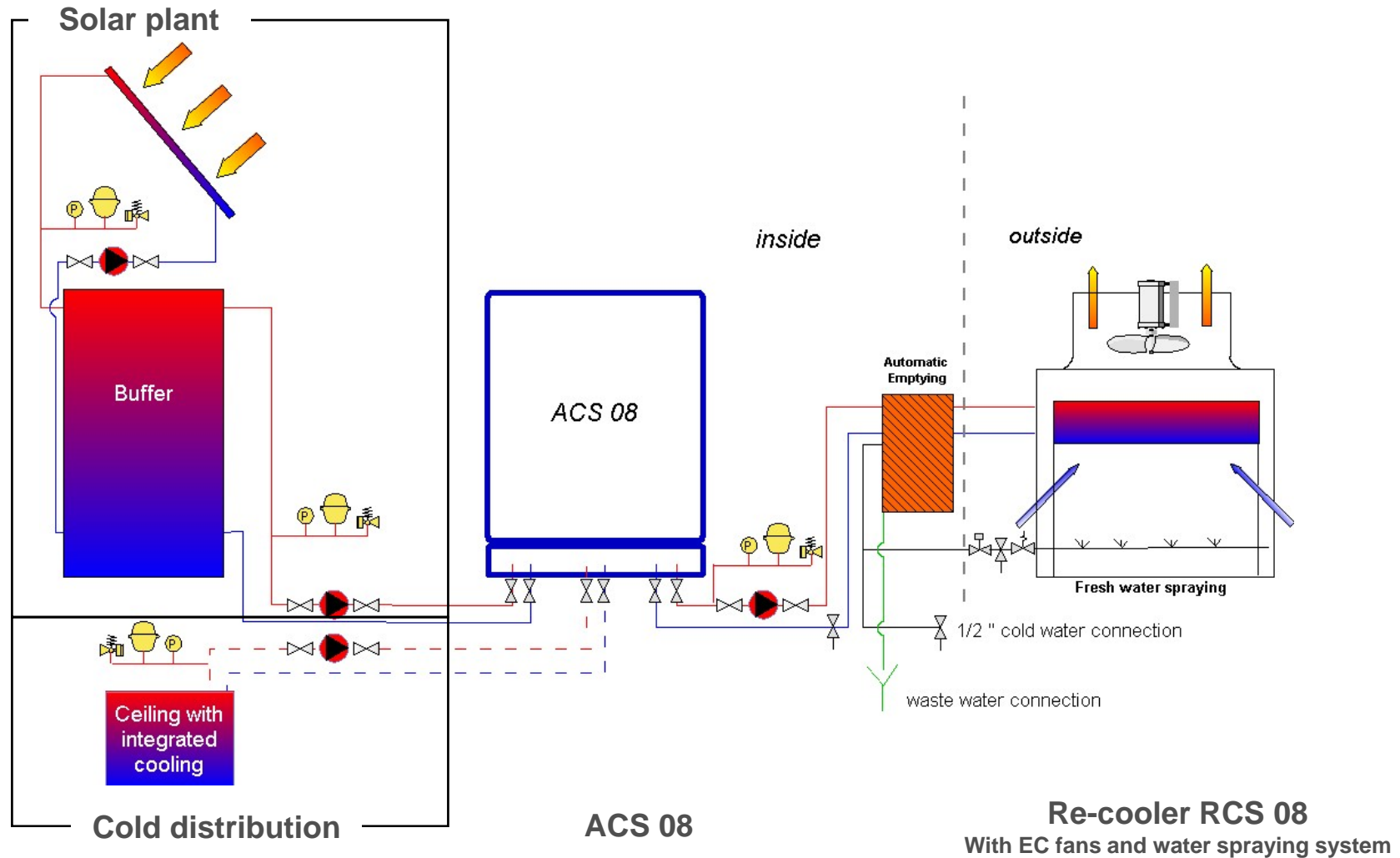


Chilled-water based cold distribution as main application

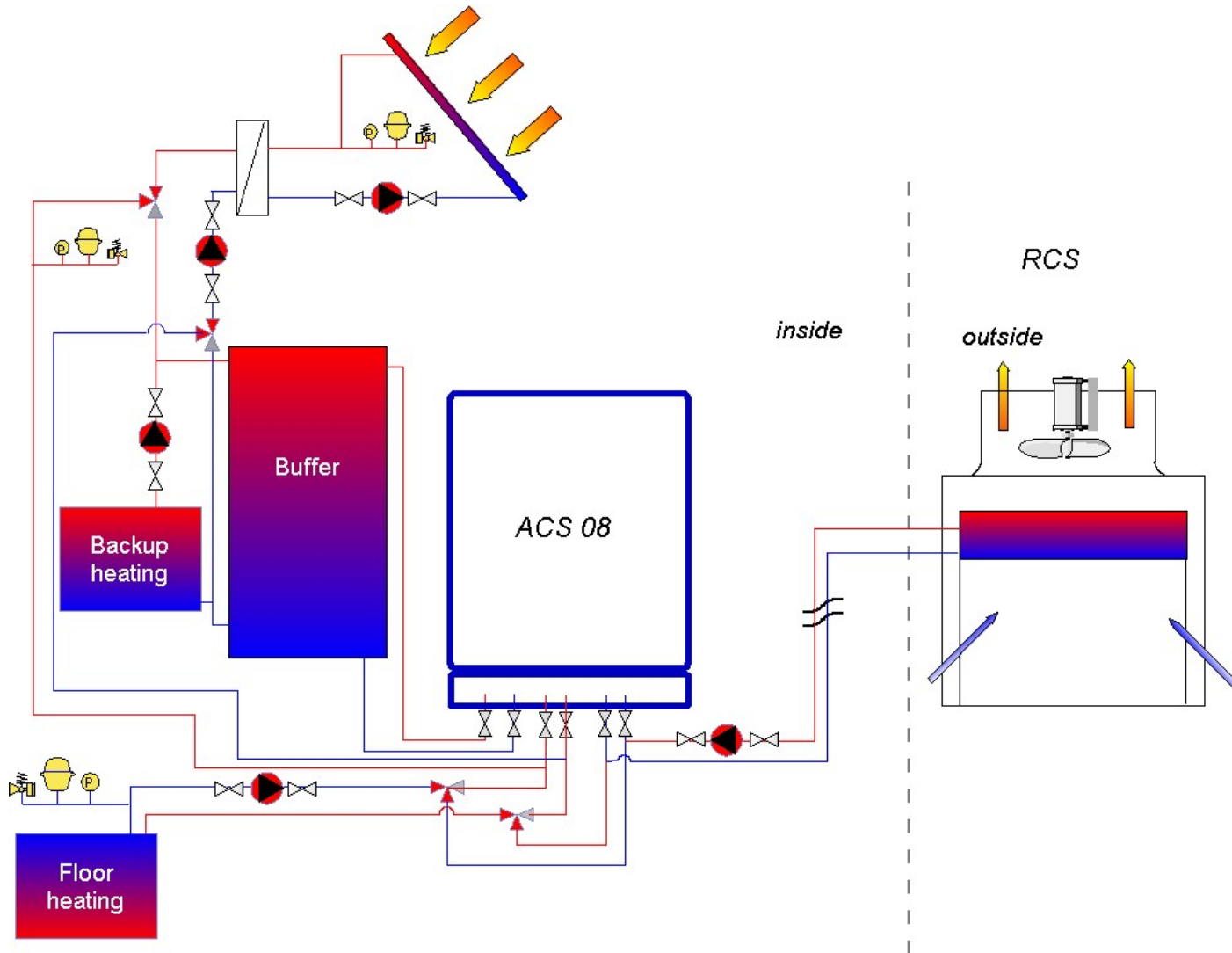
- Floor heating / cooling (17/20 or 18/21)
- Concrete core temperature control (17/20 or 18/21)
- Radiant floor (15/18)
- FanCoils (10/15)

Central air-handling units in combination with specific re-cooling solutions (wet cooling tower, bore holes)

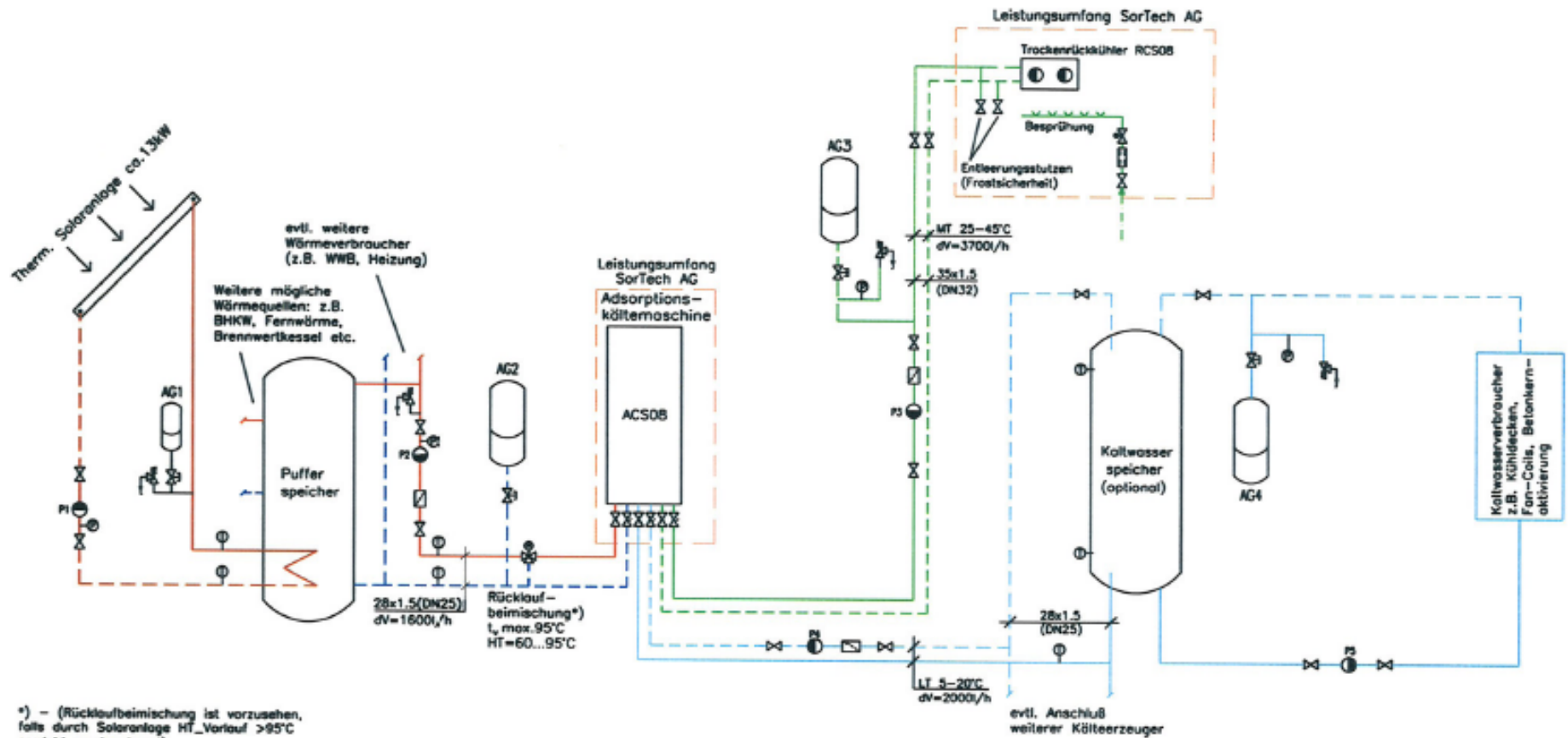
Scheme 2



Scheme 3



Scheme 4



Thank you!

Dr. Jörg Rupp

www.sortech.de